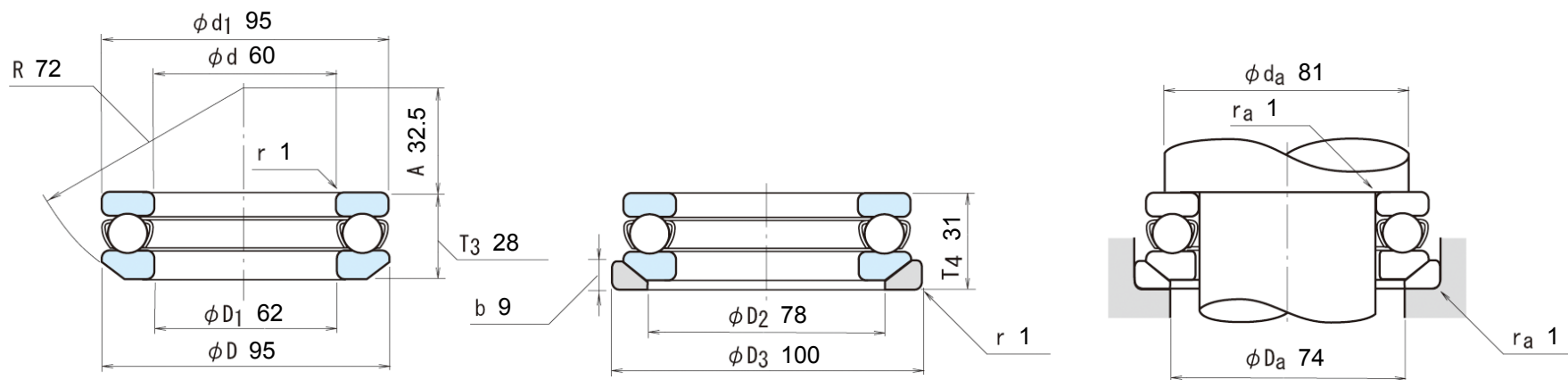


Thrust Bearings

└ Single-Direction Thrust Ball Bearings

└ With Aligning Seat Washer

Boundary Dimensions (mm)						Basic Load Ratings (kN)		Limiting Speeds (min ⁻¹)		Bearing Numbers	NSKHPS
<i>d</i>	<i>D</i>	<i>T</i>	<i>T</i> ₃	<i>T</i> ₄	<i>r</i> min.	<i>C</i> _a	<i>C</i> _{0a}	Grease	Oil		
60	95	-	28	31	1	71.5	169	2000	3000	53212U	



Mass (kg) approx.
0.897